

UP 198 ORIENTAL

Article number:
665716

EAN-Code:
3838912043702

An ultra-slim concealed cistern, ideal for spaces where minimal installation depth is necessary. It facilitates both mechanical and pneumatic flushing activation. A delightful assortment of flushing plates provides you with a wide range of combination possibilities.



INSTALLATION METHOD

Pre-wall installation or installation into a solid wall

PROPERTIES

UP 198 concealed cistern

Frontal flushing, for start-stop (6 L) or dual flushing (3/6 L)

Flush volume adjustable (large flush 7-9 L, small flush 3-6 L)

Water connection - top center

Fully insulated against condensation

SPECIAL FEATURES

Quiet mechanical fill valve (Noise class 1 ISO 3822)

PRODUCT CONTAINS

Concealed cistern equipped with pre-installed stop valve – top center

Water connection G 1/2

Flush pipe L=640 mm

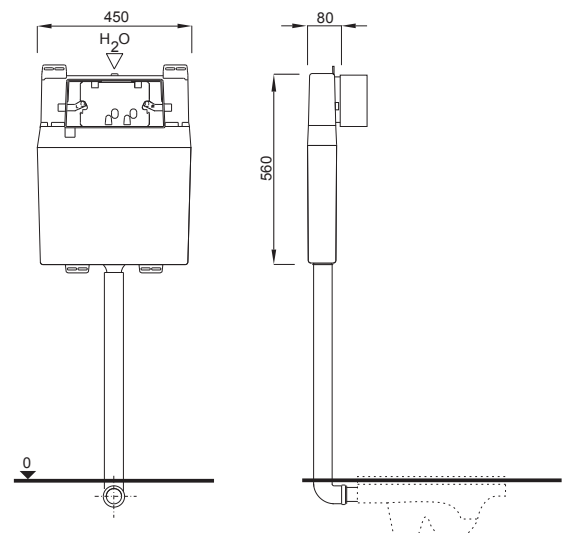
Plaster net

Mounting brackets

Complete installation and fixing material

PACKING

Pallet: 30 Pcs



FLUSHING PLATES

CARO



Glass - Mint green



Glass - White



Glass - Black



Wood - Wenge



Wood - Zebrano



Plastic - White



Plastic - Black



Plastic -
Matt black



Glass -
White/Gold



Glass -
Black/Gold

CIRCLE



Glass - Mint green



Glass - White



Glass - Black



Wood - Wenge



Wood - Zebrano



Plastic - White



Plastic - Black



Plastic -
Matt black



Glass -
White/Gold



Glass -
Black/Gold

OVATE DUO



White



Matt chrome



Bright chrome



Matt Black



Gold

DOTS DUO



White



Matt chrome



Bright chrome



Matt Black



Gold

FUTURA



White with silver metal
function buttons

VIVO



White



Matt chrome



Bright chrome

DURA



White



Matt chrome



Bright chrome