

UP 387

Article number:
4060452807

EAN-Code:
8711778228153

When a low installation height is a crucial factor in your selection criteria, this concealed cistern becomes the optimal solution. It allows both top and front flushing activation and provides the option to use cleaning tablets.



INSTALLATION METHOD

Pre-wall installation or installation into a solid wall

PROPERTIES

UP 387 concealed cistern

Top or frontal flushing, dual flushing (3/6 L)

Flush volume adjustable between 6 and 7.5 L

Water connection – on the left side

Fully insulated against condensation

SPECIAL FEATURES

Silent hydraulic fill valve (Noise class 1 ISO 3822)

Suitable for pneumatic and mechanical flushing plates

PRODUCT CONTAINS

Concealed cistern equipped with pre-installed stop valve – on the left side

Water connection G 1/2

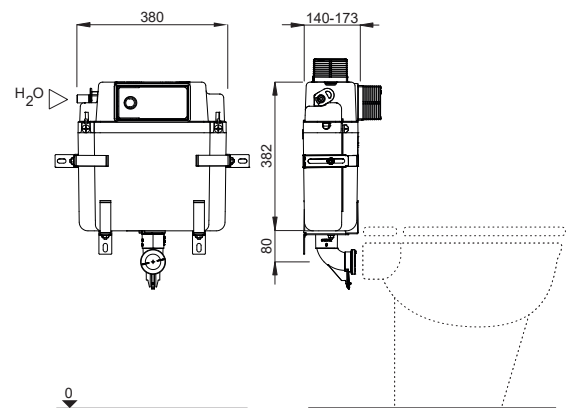
PE drain elbow Ø 90 mm with a gasket

Eccentric PE adapter Ø 90 / 110 mm with a gasket

Complete installation and fixing material

PACKING

Pallet: 48 Pcs



FLUSHING PLATES

GAIOS



White



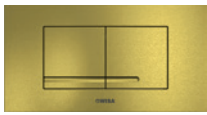
Matt chrome



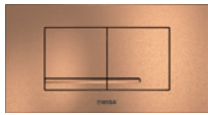
Bright chrome

GLASS
WhiteGLASS
BlackSTEEL
Stainless steel

KANTOS



Brushed bronze



Brushed copper

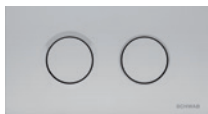
Brushed black
titanium

Matt black

THIRA



White



Matt chrome



Bright chrome