

SET WC 189 PREMIUM

Article number:

669920

EAN-Code:

3838912060105

A contemporary concealed cistern with standard dimensions, designed for effortless maintenance without the need for any tools. A wide variety of flushing plates are available, offering numerous combination possibilities.



INSTALLATION METHOD

For installation on or in solid walls

PROPERTIES

Galvanized WC element with pre-assembled 189 UP concealed cistern

Frontal flushing, for start-stop (6 L) or dual flushing (3/6 L)

Flush volume adjustable (large flush 5/6/7 L, small flush 3/4 L)

Water connection possibility on four positions

Fully insulated against condensation

Wall mounting of the depth-adjustable cassette for greater mounting flexibility

SPECIAL FEATURES

Quiet mechanical fill valve (Noise class 1 ISO 3822)

Styrofoam cover

PRODUCT CONTAINS

Concealed cistern equipped with pre-installed stop valve – top right

Water connection G 1/2

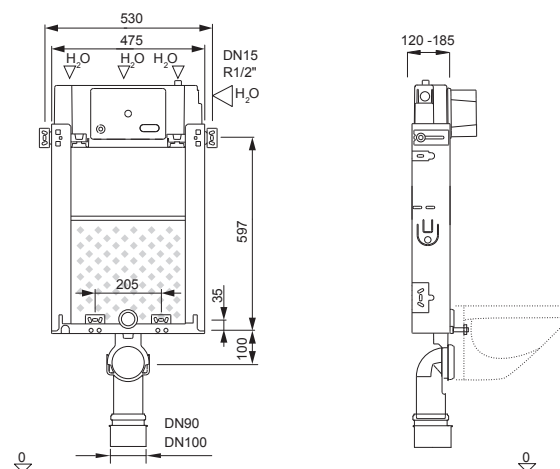
PE drain elbow Ø 90 mm with seal

Eccentric PE adapter Ø 90 / 110 mm with seal

Complete installation and fixing materials

PACKING

Pallet: 24 Pcs



FLUSHING PLATES

CARO



Glass - Mint green



Glass - White



Glass - Black



Wood - Wenge



Wood - Zebrano



Plastic - White



Plastic - Black



Plastic -
Matt black



Glass -
White/Gold



Glass -
Black/Gold

CIRCLE



Glass - Mint green



Glass - White



Glass - Black



Wood - Wenge



Wood - Zebrano



Plastic - White



Plastic - Black



Plastic -
Matt black



Glass -
White/Gold



Glass -
Black/Gold

OVATE DUO



White



Matt chrome



Bright chrome



Matt Black



Gold

DOTS DUO



White



Matt chrome



Bright chrome



Matt Black



Gold

FUTURA



White with silver metal
function buttons

VIVO



White



Matt chrome



Bright chrome

DURA



White



Matt chrome



Bright chrome